

Instructions

Which of the 12 circuits below would be identical to circuits A, B and C if built?
There may be several identical circuits in each case.

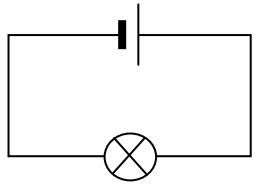
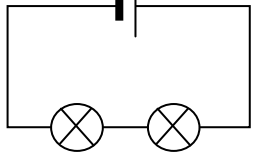
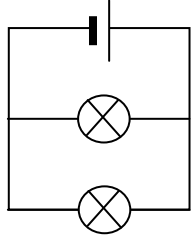
Circuit diagram	A.	B.	C.
Identical Circuits			

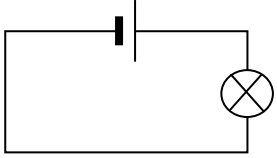
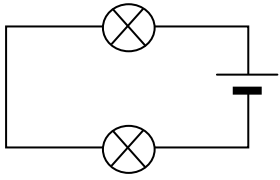
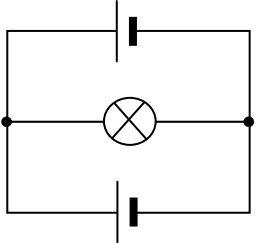
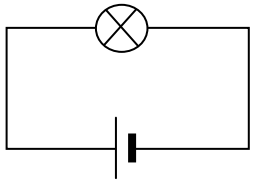
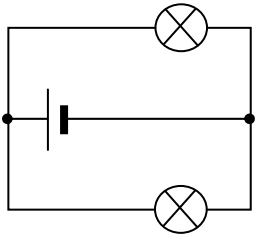
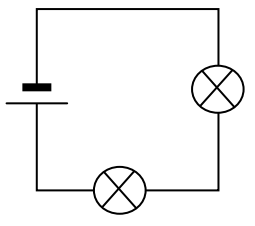
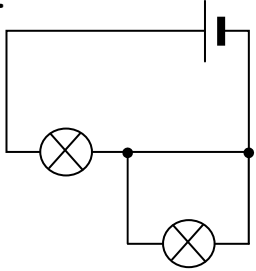
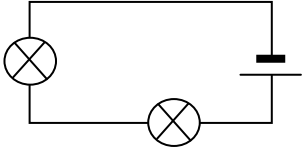
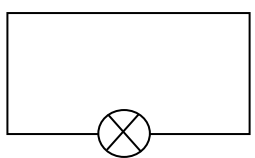
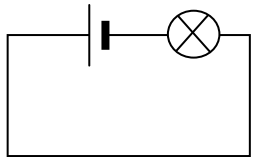
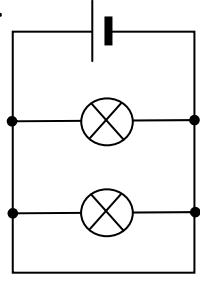
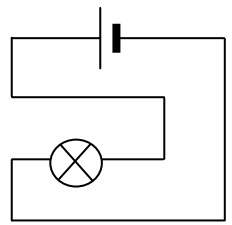
1.	2.	3.	4.
5.	6.	7.	8.
9.	10.	11.	12.

Further task

In which circuits would no lamps light?

ANSWERS

Circuit diagram	A. 	B. 	C. 
Identical Circuits	<i>1, 4, 10, 12</i>	<i>2, 6</i>	<i>5, 8</i>

1. 	2. 	3. 	4. 
5. 	6. 	7. 	8. 
9. 	10. 	11. 	12. 

Further task

In which circuits would no lamps light? *9, 11*